



# 深圳市瑞景光电有限公司

Luckysunny shenzhen opto-electronic CO.,LTD

## 样品承认书

### SPECIFICATION FOR APPROVAL

客户 Customer:

品名 Product Name: 50W 大功率 LED

型号 Version number: LSP-600CWIA-G45-5BACD

日期 Deliver date: 2009-12-03

#### 制造确认 Product confirm and sign

工程部  
APPROVED BY

制作  
Manufacture

审核  
APPROVED BY

陈欢

唐富

#### 客户确认 Customer confirm and sign

检查  
TESTED BY

审核  
CHECKED BY

承认  
APPROVED BY

确认后请回传,谢谢!Please confirm and fax to us ,thank you!

地址: 深圳市宝安区西乡镇固戍航城大道西景福工业园 A 栋 2 楼北

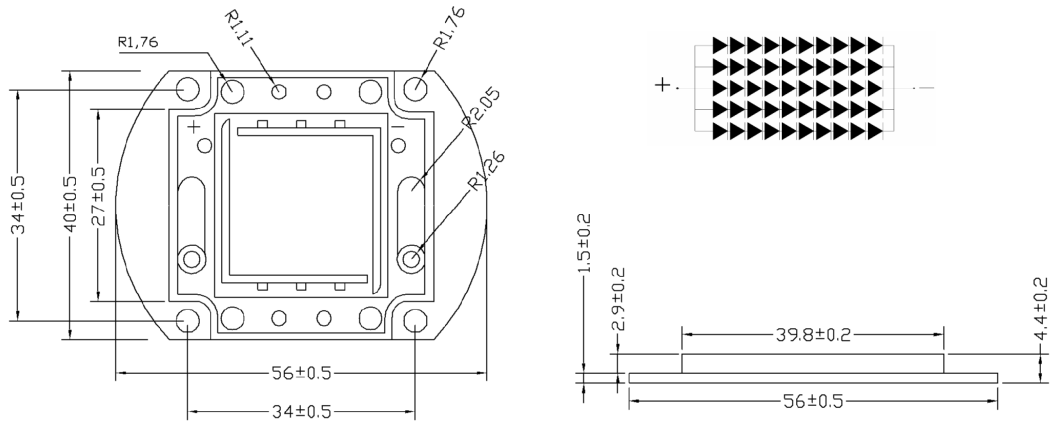
Address:2/F north, Building A, JingFu industrial estate, Hangcheng street west,Gushu village, XiXiang town, BaoAn district, ShenZhenCity, Guangdong Province,China

Tel:0755-27473039 27473033

Fax:0755-29656776

<http://www.szleds.com>

● **Package Dimensions**

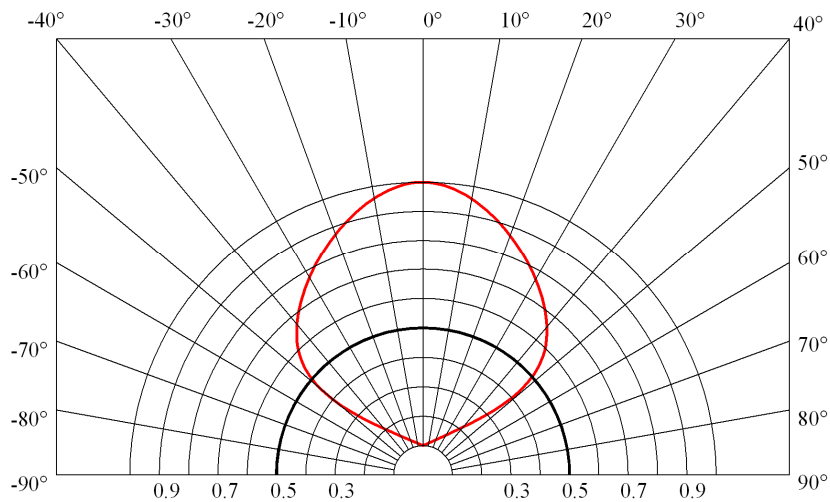


平面尺寸图 Dimension (mm)

Notes

1. All dimensions are in millimeters (inches).
2. Tolerance is  $\pm 0.25$ mm(0.010") unless otherwise noted.
3. Protruded resin under flange is 1.0mm(0.04") max.
4. Lead spacing is measured where the leads emerge from the package.
5. Specifications are subject to change without notice.

● **Spatial Distribution**



● **Electrical / Optical Characteristics at TA=25°C**

Parameter	Symbol	Min.	Typ.	Max.	Unit	Test Condition
Luminous Intensity	φ	3000	3500	4000	<b>Lm</b>	IF =1600mA
Viewing Angle	2θ1/2	95	100	105	deg	IF =1600mA
Dominant Wavelength	TC	5500	6000	6500	<b>K</b>	IF =1600mA
Forward Voltage	vF	30	32	34	v	IF =1600mA
Reverse Current	IR	0		10	<b>uA</b>	IF =1600mA

● **Absolute Maximum Ratings at TA=25°C**

Parameter	Maximum Rating
Power Dissipation	50W
Peak Forward Current(1/10 Duty Cycle, 0.1ms Pulse Width)	4000mA
Continuous Forward Current	1600mA
Derating Linear From 30°C	0.07mA/°C
Reverse Voltage	5V
Operating Temperature Range	-20°C to + 80°C
Storage Temperature Range	-30°C to + 100°C
Lead Soldering Temperature [1.6mm(.063") From Body]	260°C for 5 Seconds